

AN01

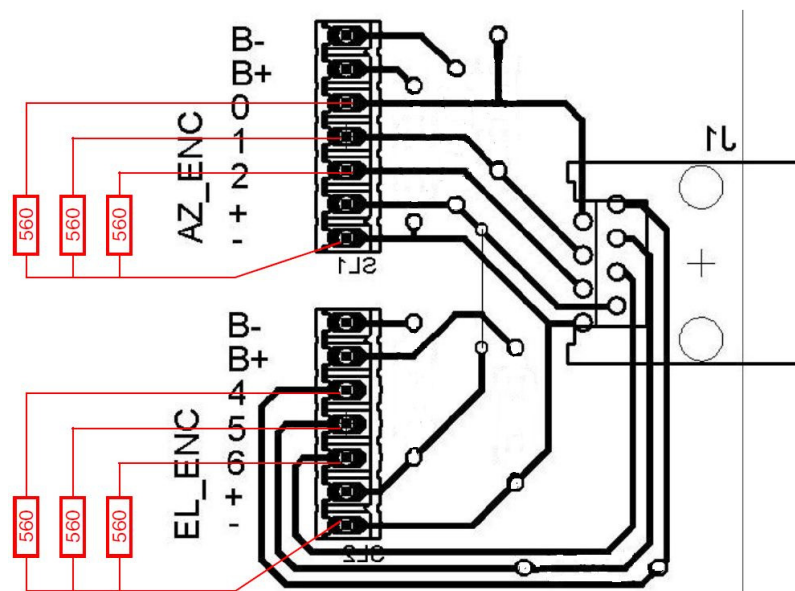
04.08.2010

(proposed by Gerard, PA0BAT)

How to correct erratic lectures caused by low quality CAT5 cables

The interconnection between the Interface unit and the splitter is done with a CAT5 cables, distance after several test is fix up to 50 meters but some double shield good cables report up to 80 meter.

Gerard, PA0BAT have several problems with erratic lectures and he solve the problem dumping to ground the lines 0,1 and 2 on the splitter side with a 560 ohms resistors like in the diagram:



This solution was tested with some bad cables and fixes the problem 99% of the time; this problem was present only one time on the field but represents a good solution if somebody has the same problem. We test also with 1.2K ohms but in the case of Gerard the unstable lectures back, depending how noisy is your antenna place you need to try with values from 470 ohms to 1.5K ohms.